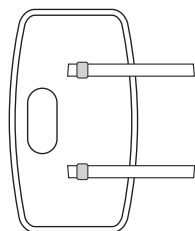
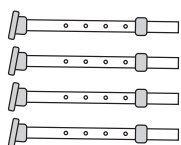


Seat Board x 1



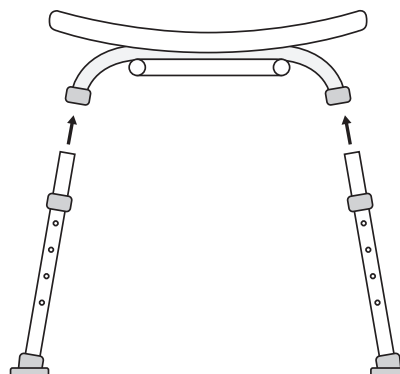
Back Rest x 1



Leg Tube x 4

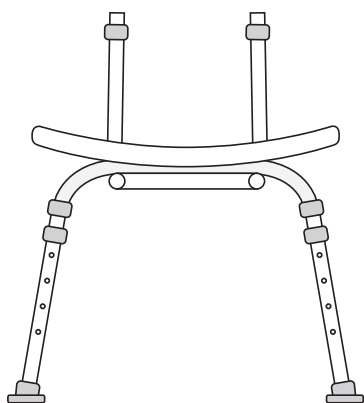
**Step 1**

Open box, remove packaging and check you have all parts as listed above.



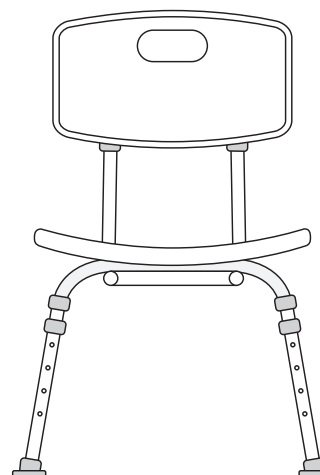
**Step 2**

Assemble the leg tube into the seat board and make sure that the whole button is visible. Repeat this process for the 3 remaining legs.



**Step 3**

Assemble the L-tube into the seat board and make sure that the whole button is visible. Repeat this process for the other L-tube.



**Step 4**

Assemble the back rest into the L-tube and make sure that the whole button is visible.

**Safety & Maintenance**

1. Check the tightness of screws and structural stability before sitting on; loading capacity must not be over 115kg.
2. Clean frequently and sterilize periodically; store in a dry and ventilated environment.