



⚠ General Safety Warning: Please make sure that you read and follow these instructions carefully. Failure to do so can result in injury. Keep these instructions in a safe place for future reference.

1.0 INTENDED USE



Figure 1: GoodKnight Guard Rail

The GoodKnight Guard Rail is designed to prevent users from rolling out of bed. The guard rail has an adjustable sliding guard mechanism, which can be extended or retracted for easy access on and off the bed. The guard rail can be used on divan and slatted beds, from single to king size. The guard rail section can be removed to make bed making easy.

2.0 SAFETY



Figure 2: Guard rail Position

⚠ WARNING: The guard rail must be positioned at least 320mm (12.5") away from the headboard.

2.0 SAFETY cont.

The guard rail must always be positioned as close as possible to the mattress, to prevent user entrapment. Do not fit this product to height adjustable or profiling beds. The Guard rail is not designed to be used as a bedrail. It will not support the users bodyweight. Not suitable for use by children. Some tasks within these instructions may require two people.

3.0 UNPACKING

Refer to Figure 3. Remove the packaging and check all parts carefully. Contact your supplier immediately if parts are missing or damaged and do not try and assemble.

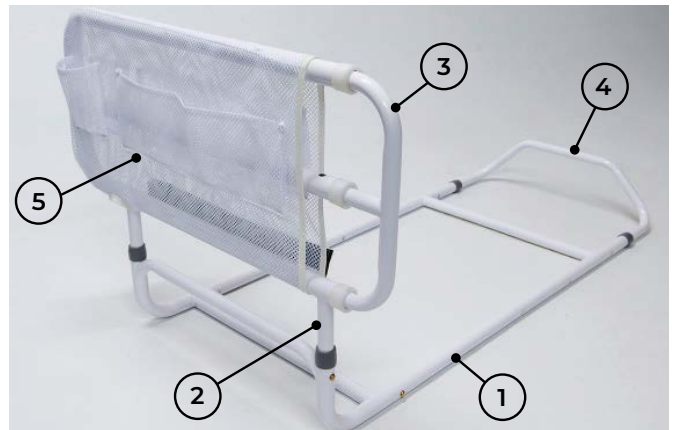


Figure 3: Parts

Parts:

1. Base-frame
2. Guard Rail
3. Guard Extension Rail
4. Base Adjustment Rail
5. Mesh Cover

4.0 ASSEMBLY AND INSTALLATION

4.1 Fitting the Guard Rail

The guard rail is packaged in two parts. To assemble, attach the guard rail to the base frame, as follows:

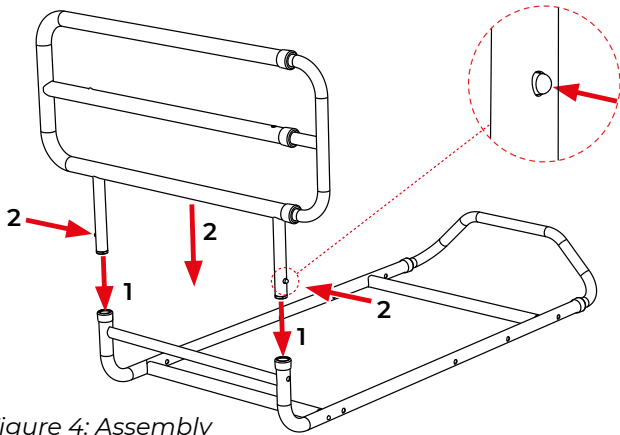


Figure 4: Assembly

1. Refer to Figure 3 and Figure 4. Slot the guard rail into the base-frame.
2. Push and hold the guard rail button-clips, then push the guard rail into the base-frame until the button-clips click into position in the base frame holes.

Note: Make sure that the button-clips have fully engaged into the holes.

4.2 Adjusting the base width:

Note: The following steps may require two people.

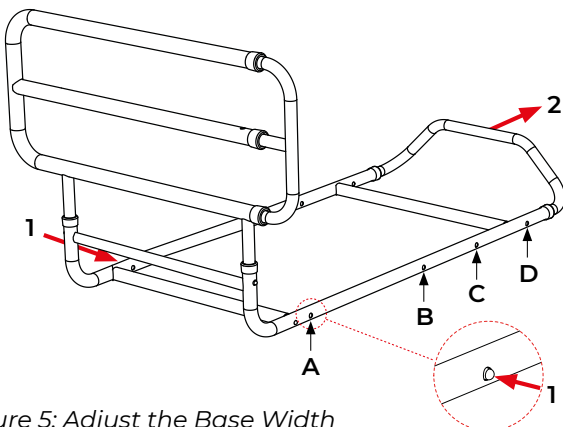


Figure 5: Adjust the Base Width

	Standard Single	Small Double	Standard Double	King Size
Bed Width	900mm	1200mm	1350mm	1500mm
Position	A	B	C	D

Table 1: Bed Width / Frame Position

1. Refer to Figure 3 and Figure 5. Push and hold the button-clips on the base adjustment rail.
2. Slide the base adjustment rail out from the baseframe until the button-clips click into the required hole positions for your bed (see Table 1).

Note: Make sure that the button-clips have fully engaged into the holes.

4.3 Fitting the Guard rail to the bed:

Note: The following steps may require two people.



Figure 6: Fit the Guard rail

1. Refer to Figure 6. Remove the mattress and place the guard rail on the bed base.



Figure 7: Replace Mattress

2. Refer to Figure 2 and Figure 7. Replace the mattress on top of the guard rail.

WARNING: The guard rail must be positioned at least 320mm (12.5") away from the headboard.

5.0 OPERATION AND USE

5.1 Extending the Guard Rail

The guard rail can be extended to give the user better protection from bed roll-out.

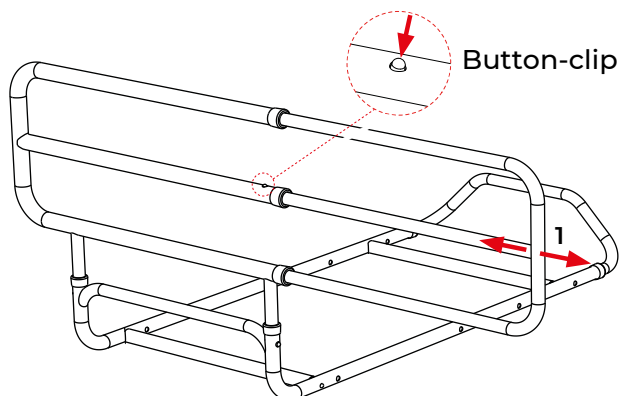



Figure 8: Extend the Guard rail

1. Refer to Figure 3 and Figure 8. To extend the guard rail, pull the guard extension rail out from the main guard rail until the guard extension rail button-clip clicks into position.

 **Note:** Make sure that the button-clip has fully engaged into the hole.

5.2 Retracting the Guard Extension Rail

The guard extension rail must be closed to let the user exit the bed.

1. Refer to Figure 3 and Figure 8. To close the guard extension rail, press and hold the button-clip, then slide the guard extension rail into the main guard rail.

5.3 Remove the Guard Rail

The guard rail can be removed to enable the user to make the bed.

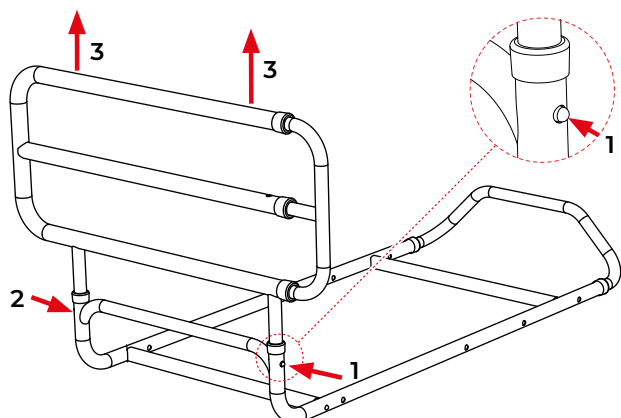


Figure 9: Removing the Guard Rail

5.3 Remove the Guard Rail cont.

1. Refer to Figure 3 and Figure 9. Push and hold the right-hand side guard rail button-clip, then pull the guard rail until the button-clip disengages from the hole.
2. Repeat step 1 for the left-hand side.
3. Make sure both button-clips have disengaged from the holes, then pull the guard rail out from the base frame.
4. To refit the guard rail, refer to Section 4.1.

5.4 Remove the Mesh Cover

The guard is supplied with the mesh cover fitted to the guard rail, to remove for cleaning, please do the following:



Figure 10: Remove the Mesh Cover

1. Refer to Figure 10. Undo the Velcro fastener and slide the mesh cover off the guard rail.


5.5 Refit the Mesh Cover

1. Refer to Figure 10. Slide the mesh cover onto the guard rail and secure with the Velcro fastener.
2. Make sure that the mesh cover is fully secure before use.

6.0 CLEANING

6.1 Cleaning the Guard Rail

1. Clean regularly using a general purpose, neutral detergent and warm water.
2. To disinfect, wipe with a dilute bleach solution and rinse with fresh water.

 **Note:** Please check the suitability of the cleaning products before use. Do not use abrasive cleaners or cloths as these could permanently damage the surface and invalidate any warranty.

3. Allow the product to dry fully before use or storage.

6.2 Cleaning the Mesh Cover

1. Hand-wash the mesh cover using a mild fabric detergent and warm water.
2. Rinse the mesh cover with warm water.
3. Allow the product to dry fully before use or storage.

7.0 MAINTENANCE

4. Check the guard Rail is correctly positioned and that all button-clips have engaged securely.
5. Inspect the product for signs of wear or damage at regular intervals. Any suspected faults or damage must be reported to the supplier and the product taken out of use immediately.

8.0 PRODUCT DISPOSAL

This product should be thoroughly cleaned prior to disposal. This product is manufactured from metal and plastic and can be disposed of through Local Authority Household Waste and Recycling Centres or through Local Trade Waste Collectors.

9.0 PRODUCT GUARANTEE

Products are to be fit for purpose and of excellent quality and performance. For valid warranty claims CareCo will, at their discretion, replace / repair / refund items mutually agreed to be defective.

This guard rail is covered by a 1 year manufacturers warranty that warrants the goods will be free from material defects from manufacturing

This warranty does not cover the mesh cover that is subject to wear and tear.

Any damage or defect of any nature occurring from the misuse, abuse of the product, improper operation or improper storage is not covered. The warranty starts from the date of receipt of your product.

CareCo

CareCo UK Limited, Hubert Road,
Brentwood, Essex, CM14 4JE



GoodKnight

G U A R D R A I L