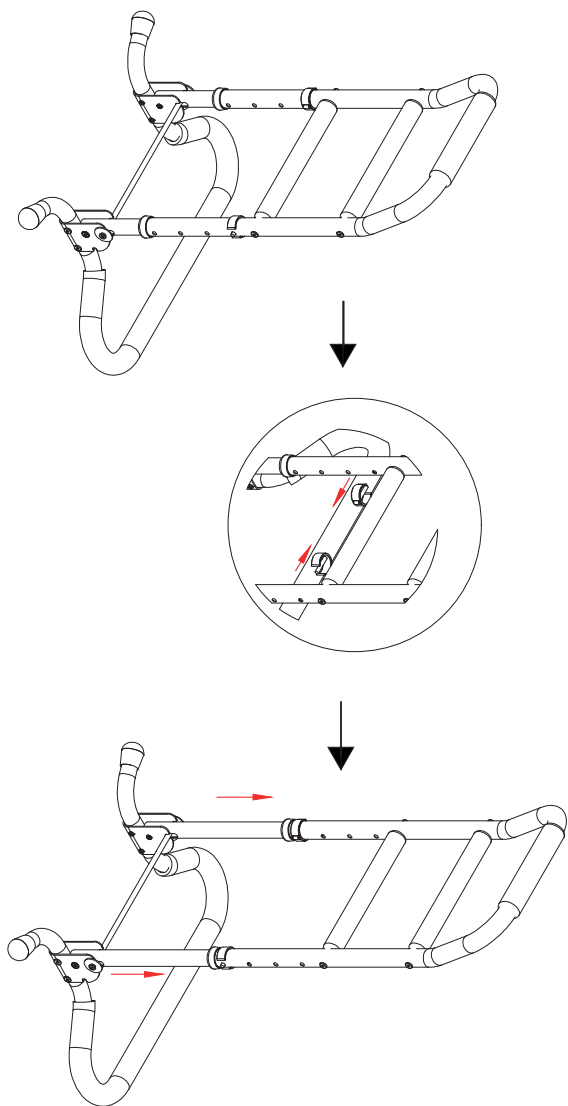
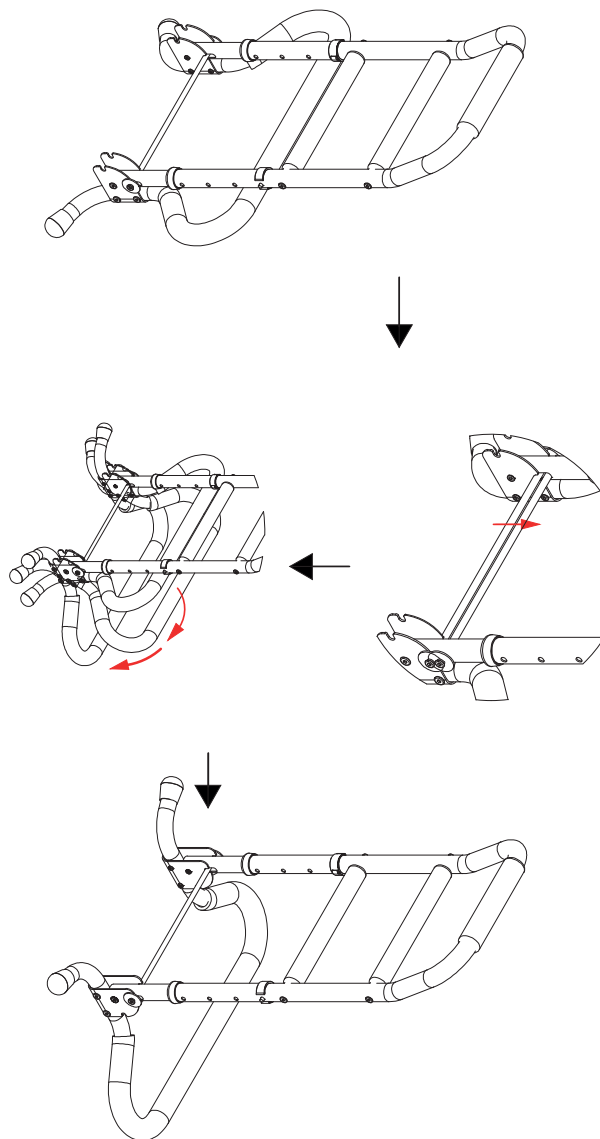


Homecare Folding Assist Rail - BD06025

Step 1 -



Step 2 -



Step 3 -

