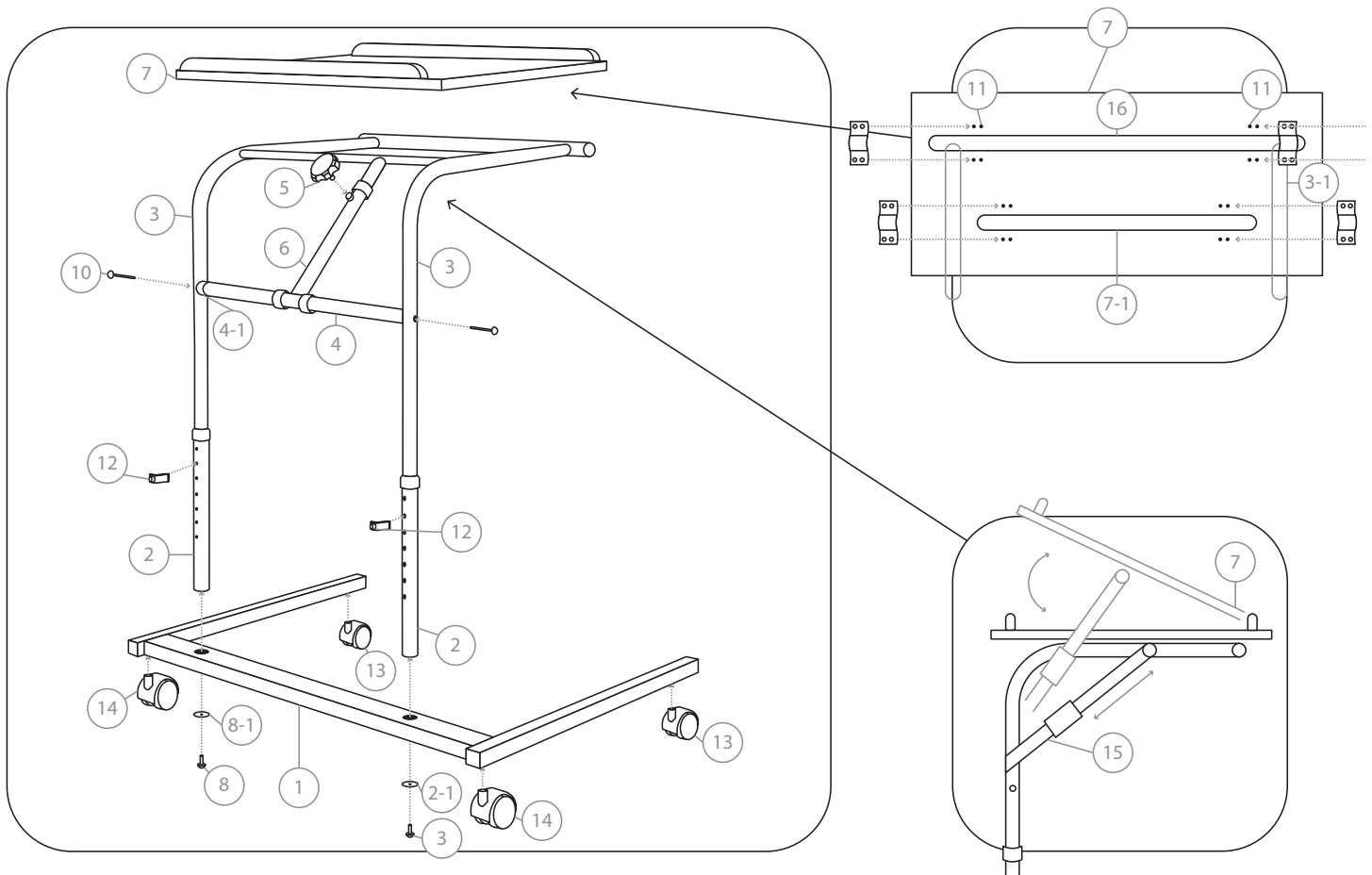


Tilt-top over chair table - RR07100



1. Insert table legs (2) into the table base (1), and use screws (8) and washers (8-1) to secure in place.
2. Insert bolts (10) through the upper table legs (3) and into cross bar (4) and use the curved washers (4-1) to secure this in place.
3. Slot the upper table legs (3) into under-table tube (16) and affix in place using bolt (11) and curved washers (3-1).
4. Attach adjuster tube (6) to under-table tube (7-1) so that the table angle may be adjusted. When the table is in the correct position, use knob (15) to secure in place.
5. Insert upper table leg (3) in lower table leg (2) – the height can now be adjusted and fixed in place using curved insert (12) when the table is at the desired level.